

# MAC-12 AC PA Electric Transporter



- AC controller 650 amps
- AC three phase brushless high torque electric motor
- Enclosed wet brakes on all wheels
- No forward/reverse contactors
- 72 or 96 volt battery system in removable battery pack
- Twelve to Thirteen passengers
- Soft Ride five point rubber

mounted front suspension with Air-Ride.

- Double reduction rear drive axle with enclosed wet disc brakes
- High 12 MPH, Low 9 MPH
- Very low seam heights.
- Available in lay down or sit up driver position

**DAMASCUS**  
*Corporation*

*"We get around UNDERGROUND!!"*

Phone: 276-676-2376 or 800-390-7636

Mailing Address:

PO Box 610

Abingdon, VA 24212

<http://www.damascuscorp.com>

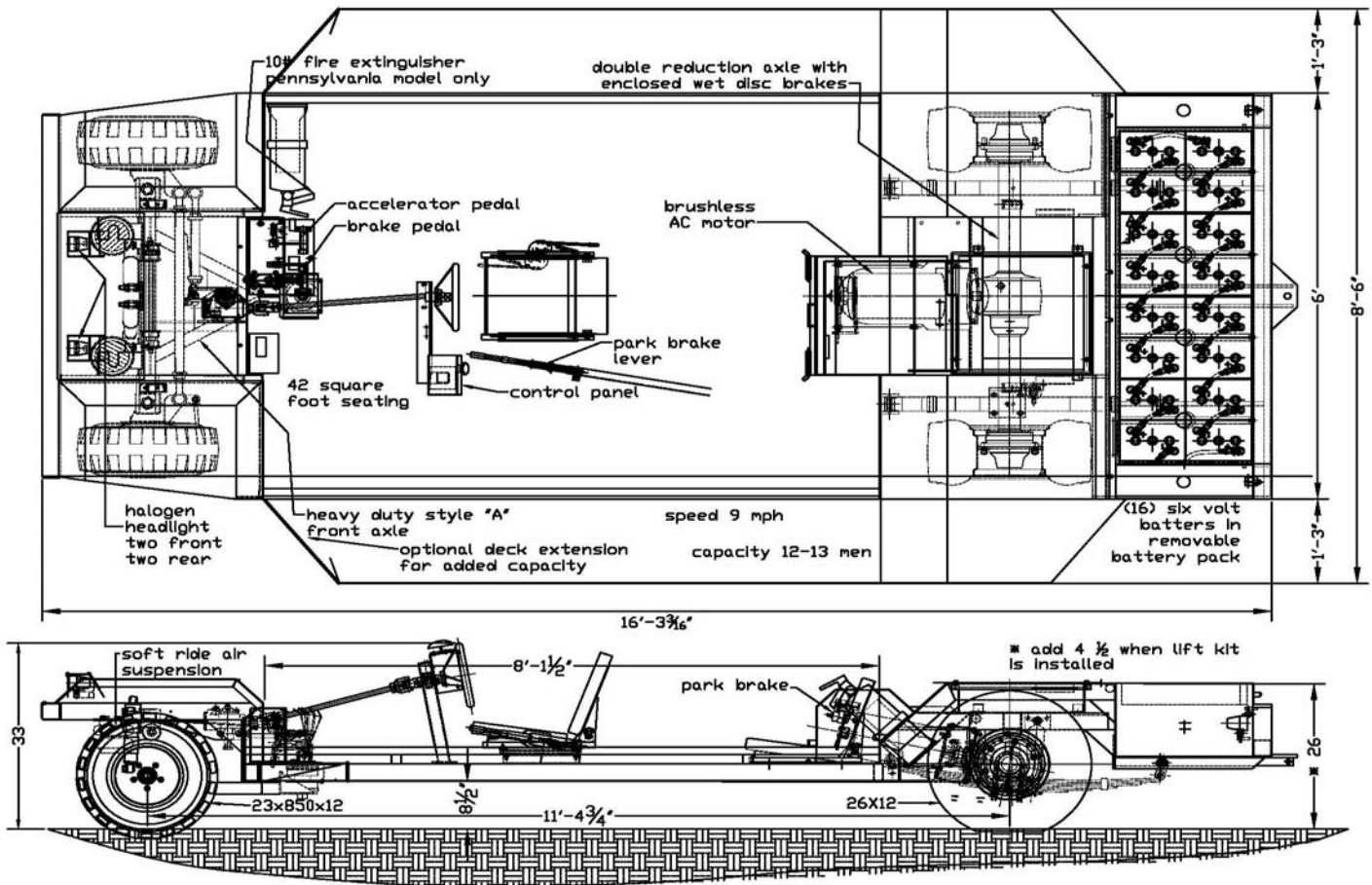
Fax: 276-676-0300

Shipping Address:

26864 Watauga Road

Abingdon, VA 24211

e-mail: [sales@damascuscorp.com](mailto:sales@damascuscorp.com)



## Specifications: MAC-12 AC Electric Transporter

<b>Dimensions:</b>	Height: 26" Standard Width: 6'-0" or 8'-6" Length: 16'-3 3/16" Turning Radius: 12'-6" I.S.	<b>Motor:</b>	15 horsepower—high torque, continuous duty AC motor with no brushes or Commutator mounted direct to rear axle
<b>Ground Clearance:</b>	8 1/2" std. 13" with optional lift kit	<b>Brake:</b>	Service Brakes— Tandem Master cylinder actuated enclosed wet disc brakes in front and rear axle combined with regenerative braking Park Brake—mechanical caliper on motor shaft
<b>Weight:</b>	5000#	<b>Suspension:</b>	Front – Rubber mounted A frame style axle with soft ride air suspension, heavy-duty gas shocks and overload bumpers; 5000# spherical bearings in "C" style knuckles, and heavy automotive tie rods. Rear – HD leaf springs with heavy duty gas shocks and rubber overload bumpers
<b>Payload:</b>	2500#, 12-13 men	<b>Rear Axle:</b>	Double reduction 10,000# capacity axle with enclosed wet disc brakes
<b>Electrical:</b>	96 volt AC MOSFET controller, no F/R contactors, circuit breaker with shunt trip enclosed in sealed enclosure	<b>Tires:</b>	Front: P205-75R15 – 6 ply rating Rear: 26 x 12.00 x 12 – 8 ply rating Other size available
<b>Batteries:</b>	16 – 6 volt batteries, battery level indicator on control panel. removable battery pack	<b>Tram Speed:</b>	12 miles per hour
<b>Battery Charger:</b>	Heavy duty industrial Lester Electrical, automatic timer, input: 220 volt Output: 96 volt – 40 amp		
<b>Headlights:</b>	Two front, two rear, halogen, 12 volt DC/DC converter		