

# MAC-8WD+36 Electric Transporter



Soft Ride  
Suspension!

- Solid state 400 amp, Controller with bypass
- 48 volt T145 batteries in removable battery pack
- Soft Ride five point rubber mounted front suspension with Air-Ride.
- Up to thirteen passenger capacity.
- Automotive type rear axle.
- Speed: 7-9 MPH.
- Very low seam heights.
- Available in lay down or sit up driver position

**DAMASCUS**  
*Corporation*

*"We get around UNDERGROUND!!"*

Phone: 276-676-2376 or 800-390-7636

Mailing Address:

PO Box 610

Abingdon, VA 24212

<http://www.damascuscorp.com>

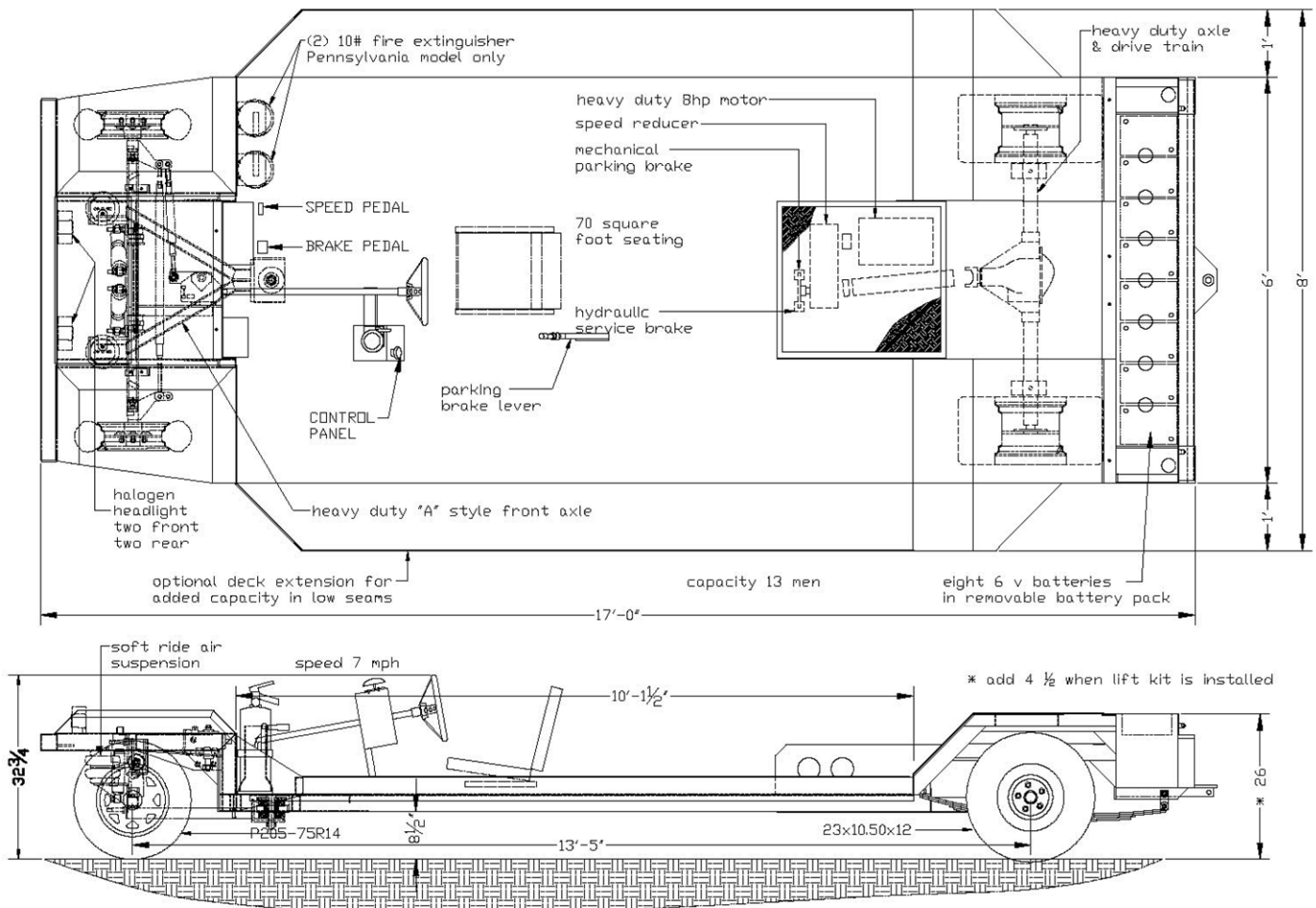
Fax: 276-676-0300

Shipping Address:

26864 Watauga Road

Abingdon, VA 24211

e-mail: [damascus@naxs.com](mailto:damascus@naxs.com)



## Specifications: MAC-8WD+36 Electric Transporter

Dimensions:	Height: 26" Standard 29" J305 Batteries	Headlights:	Two front, two rear, halogen, 48 volt no resistor required
	Width: 6'-0" or 8'-0"	Motor:	Heavy duty DC motor-continuous-TENV
	Length: 17'-0"	Brake:	Hydraulic caliper service brake and mechanical parking brake both using a 10" rotor mounted on speed reducer output shaft
	Turning Radius: 14'-0" I.S.	Suspension:	Front – Rubber mounted A frame style axle with soft ride air suspension, heavy-duty gas shocks and overload bumpers Rear – HD leaf springs with heavy duty gas shocks and rubber overload bumpers
Ground Clearance:	8 1/2" Std. 13" with optional lift kit	Front Axle:	A frame style with 3500# spindles, automotive king pins and tie rods
Weight:	2740#	Rear Axle:	Automotive type 2700#
Payload:	3000#, 13 men	Tires:	Front: P205-75R14 – 6 ply rating Rear: 26 x 12.00 x 12 – 8 ply rating Other size available
Electrical:	48 volt MOSFET controller, forward/reverse/bypass contactors, circuit breaker with shunt trip encased in sealed enclosure	Tram Speed:	7 miles per hour
Batteries:	8 – 6 volt Trojan T-145, battery level indicator on control panel. Removable battery pack		
Speed Reducer:	Heavy duty parallel shaft		
Battery Charger:	Lester Electrical, Lestronic II, automatic timer. Input: 230 volt – 1 phase – 15 amp Output: 48 volt – 50 amp PA approved underground charger available		