

# MAC-XP AC



- MSHA Approved
- Three person capacity
- Soft Ride five point rubber mounted front suspension with Air-Ride.
- Double reduction rear drive axle with enclosed wet disc brakes
- Motor mounted park brake
- Heavy duty rear springs
- 650 amp programmable controller
- Re-regenerative braking
- 15 HP motor AC motor
- 45/9 or 55/9 -72 volt Industrial batteries in removable battery tray
- Control box designed with all operational controls built in
- Ergonomically fitted to driver

**Damascus...Meeting and Exceeding your expectations with pride since 1980**

**DAMASCUS**  
*Corporation*

Phone: 276-676-2376 or 800-390-7636

Mailing Address:

PO Box 610

Abingdon, VA 24212

<http://www.damascuscorp.com>

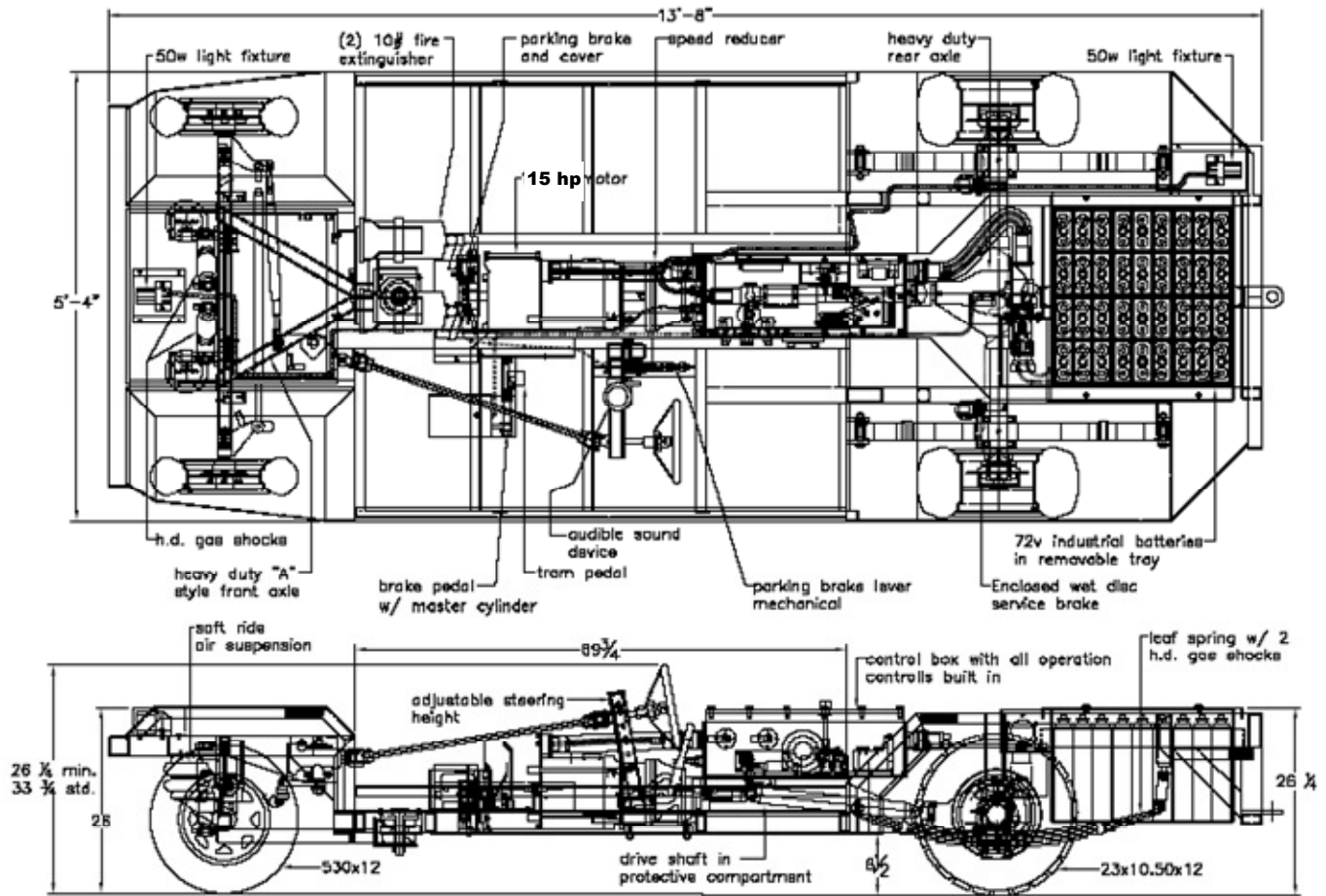
Fax: 276-676-0300

Shipping Address:

26864 Watauga Road

Abingdon, VA 24211

e-mail: [sales@damascuscorp.com](mailto:sales@damascuscorp.com)



## Specifications: MAC-XP Personnel Carrier

<b>Dimensions:</b>	Height: 26 ¼ min. to top of steering wheel Width: 5'-4" Length: 13'-8" Turning Radius: 12'-0" I.S. Ground Clearance: 8 1/2" Standard	<b>Motor:</b>	Heavy duty, 15 HP
<b>Payload:</b>	1000 lb., 3 Men	<b>Brake:</b>	Service Brakes – Master cylinder actuated enclosed wet disc brakes in rear axle combined with regenerative braking Park Brake – mechanical caliper on motor shaft
<b>Performance:</b>	Speed 10 mph	<b>Rear axle:</b>	Double reduction 10,000# capacity axle with enclosed wet disc brakes
<b>Electrical:</b>	72 volt 650 amp programmable controller, forward reverse contactors, circuit breaker, overload fuse, linear accelerator all located in an explosion proof enclosure	<b>Suspension:</b>	Front – Rubber mounted A frame style axle with new Soft Ride air suspension and heavy-duty gas shocks. Automotive type tie rods Rear – HD leaf springs with heavy duty gas shocks and rubber overload bumpers
<b>Batteries:</b>	Industrial type 36 cell 45/9 (OPT. 55/9) housed in removable tray	<b>Fire Extinguisher:</b>	Standard – (2) 10 lb. fire extinguisher and brackets
<b>Speed Reducer:</b>	No inline speed reducer. Reduction in rear axle.	<b>Fire Suppression:</b>	Optional - Ansul fire detection/suppression system
<b>Battery Charger:</b>	Heavy duty industrial Lester Electrical, automatic timer, Input: 220 volt Output: 72 volt – 40 amp	<b>Tires:</b>	Front: 530 x 12 – 6 ply rating Rear: 23 x 1050 x 12 - 6 Ply tractor tread standard
<b>Headlights:</b>	One front, one back, high intensity halogen	<b>Options:</b>	Seating, tires, canopy, ground clearance, and fire suppression. Contact Mfg. for more...